

BDE-82-131 Series

FEATURES

- **Brush DC Motor**
- **Designed for high volume applications**
- **Up to 70 oz-in of continuous torque**
- **82 mm diameter**
- **Custom versions available**



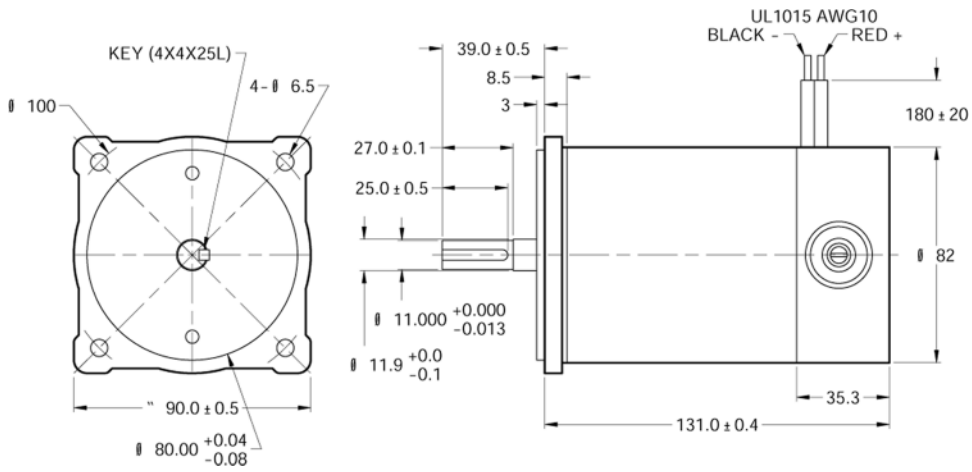
DESCRIPTION

The Brush DC Motor was designed for high volume OEM applications with low cost being the primary objective. This Brush DC Motor can output up to 70 oz-in of continuous torque. The custom options for the Brush DC Motor line includes optimizing the maximum speed, torque, current, voltage, cabling, wiring, connectors, and shaft modifications.

SPECIFICATIONS

| Model # | Nominal (Volts DC) | Speed No Load (RPM) | Current No Load (Amps) | Rated Output Power (W) | Rated Torque (oz-in) | Rated Speed (RPM) | Rated Current (Amps) | Length (mm) | Weight (Lbs) | Shaft Diameter (mm) |
|---------------------|--------------------|---------------------|------------------------|------------------------|----------------------|-------------------|----------------------|-------------|--------------|---------------------|
| BDE-82-131-24V-4700 | 24.5 | 4700 | 3.1 | 216 | 70 | 3650 | 23.5 | 131 | 5.62 | 11 |

L010474



*All units are in mm

DIMENSION

SPECIFICATIONS

| | |
|----------------------------|--------------------|
| Insulation Resistance | 500VDC/50M ohm Min |
| Insulation Classification: | F Class |
| Hi-Pot: | 500VAC/1mA/1sec |
| Direction of Rotation: | CW |
| Noise (Background 45dB): | 65dB Max |